

metalfire

Technical Document

AVENUE MF 900-60 GHE 3S EXT

Dimensions (mm)

- combustion opening WxDxH: 888x395x598
- external WxDxH: 1287x468x1083
- diameter flue: $\phi 130/200$ or $(*) \phi 100/150$

TECHNICAL DATA

- Gascat: I2E+, I2E, I2H, I2L, I2ELL
- ECOLABEL: B
- load input: 10.0 kW
- load output: 8,35 kW
- efficiency capacity: 86,5 %
- type of gas/pressure: G20/G25

-
- Gascat: I3B/P, I3+
 - ECOLABEL: B
 - load input: 9,40 kW
 - load output: 7,90 kW
 - efficiency capacity: 83,9 %
 - type of gas/pressure: G30/G31

- Appliance type: C11,C31,C91
C12,C32,C42,C52,C82
- Weight: 200 kg
- Convection air inlet: min350cm² (2x $\phi 150$)
- Convection air outlet: min350cm² (2x $\phi 150$)

SPECIFICATIONS

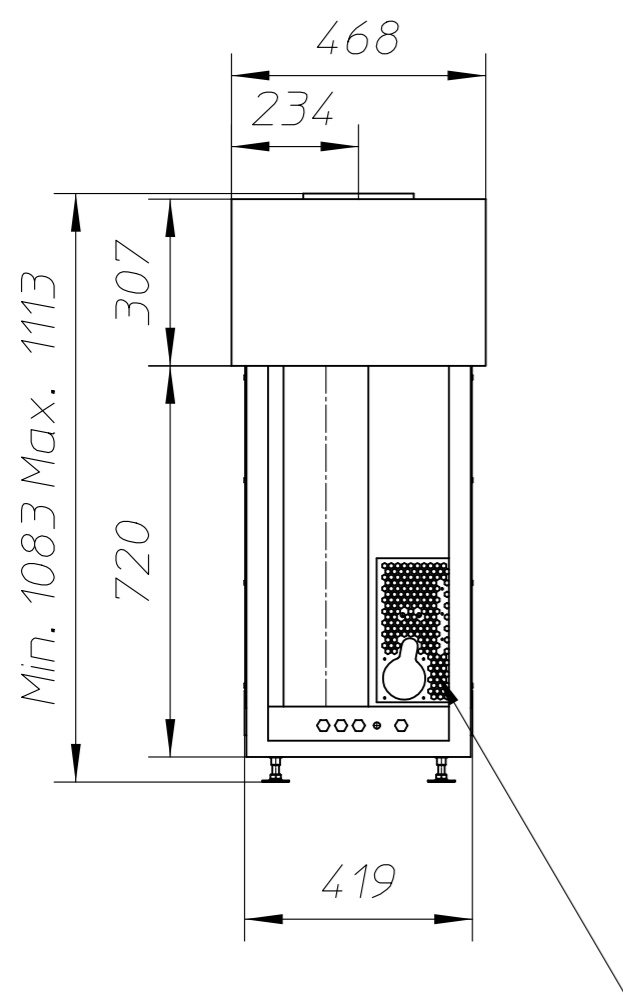
- Available with pebbles: optional ceramics wood logs
- Ionization-protected pilot-flame
- Radiographic remote controle with thermostatic mode
- Inside finishing: heat-resistant black paint
- Gas/electrical connections at the left side (optional right side)

OPTIONS

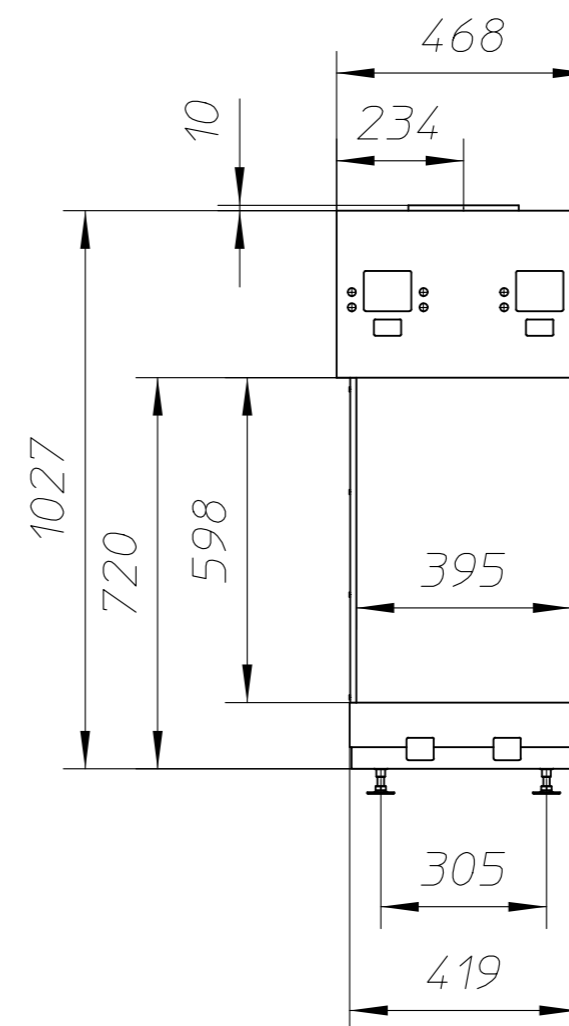
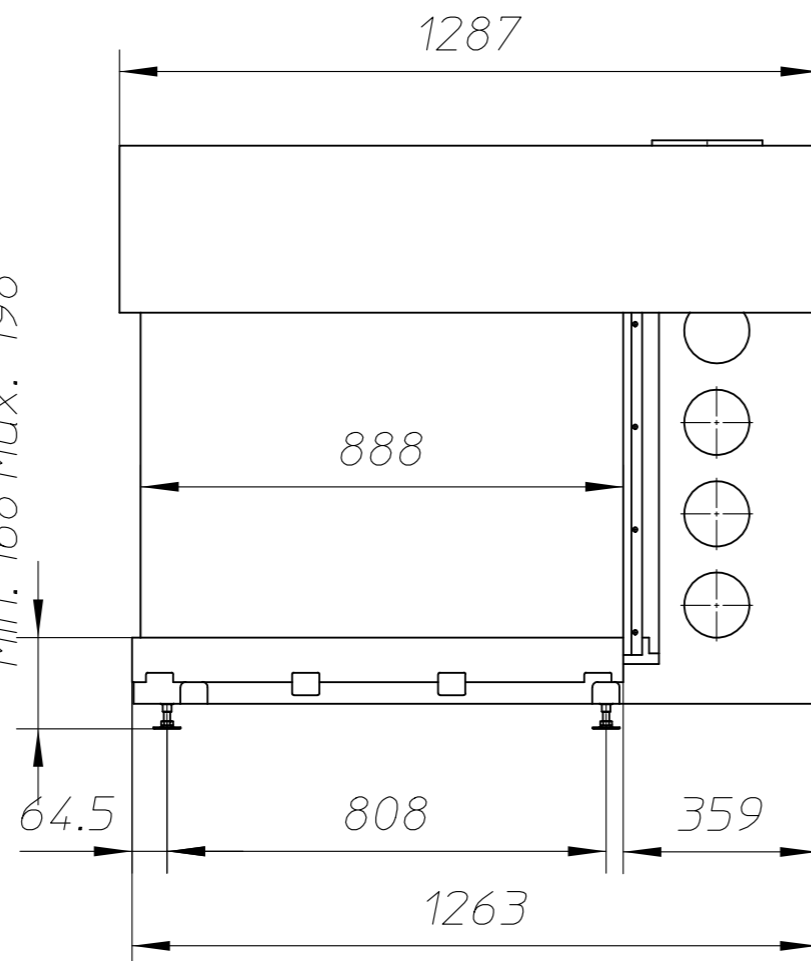
- interior finishing: ORIGINAL (ribbed cast iron)
- Standard (steel)

First aid and technical support:

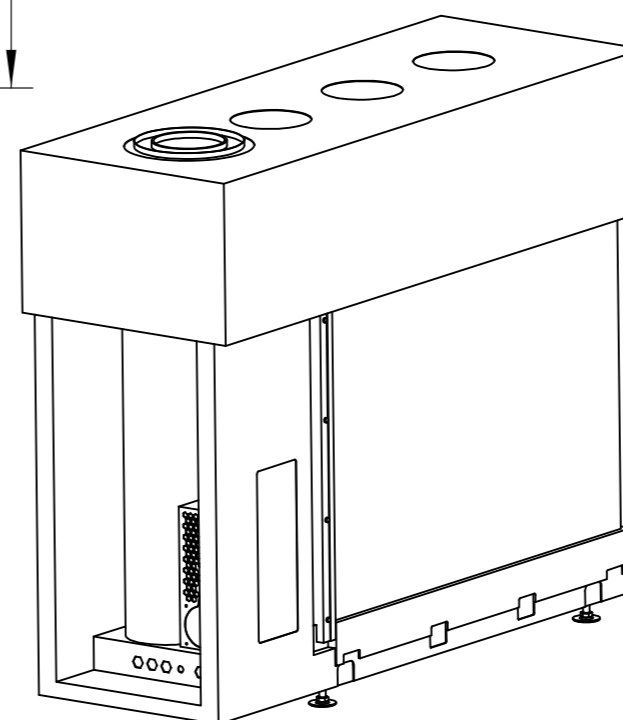
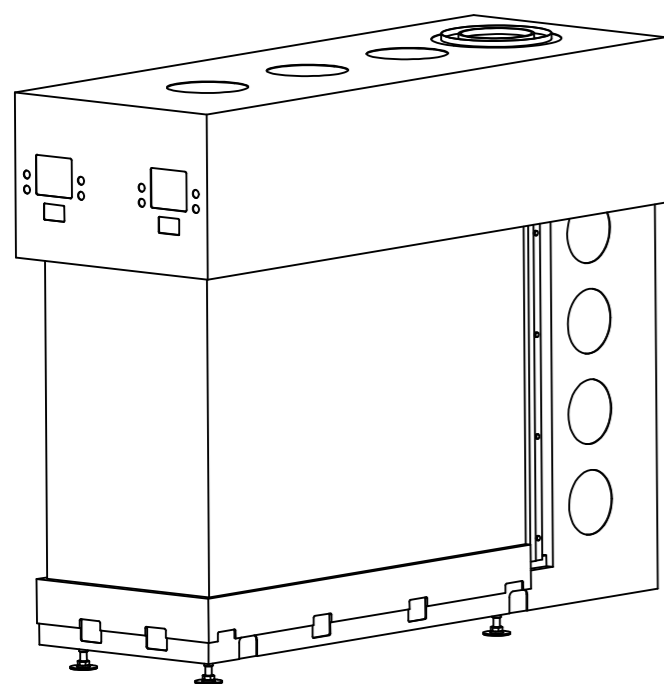
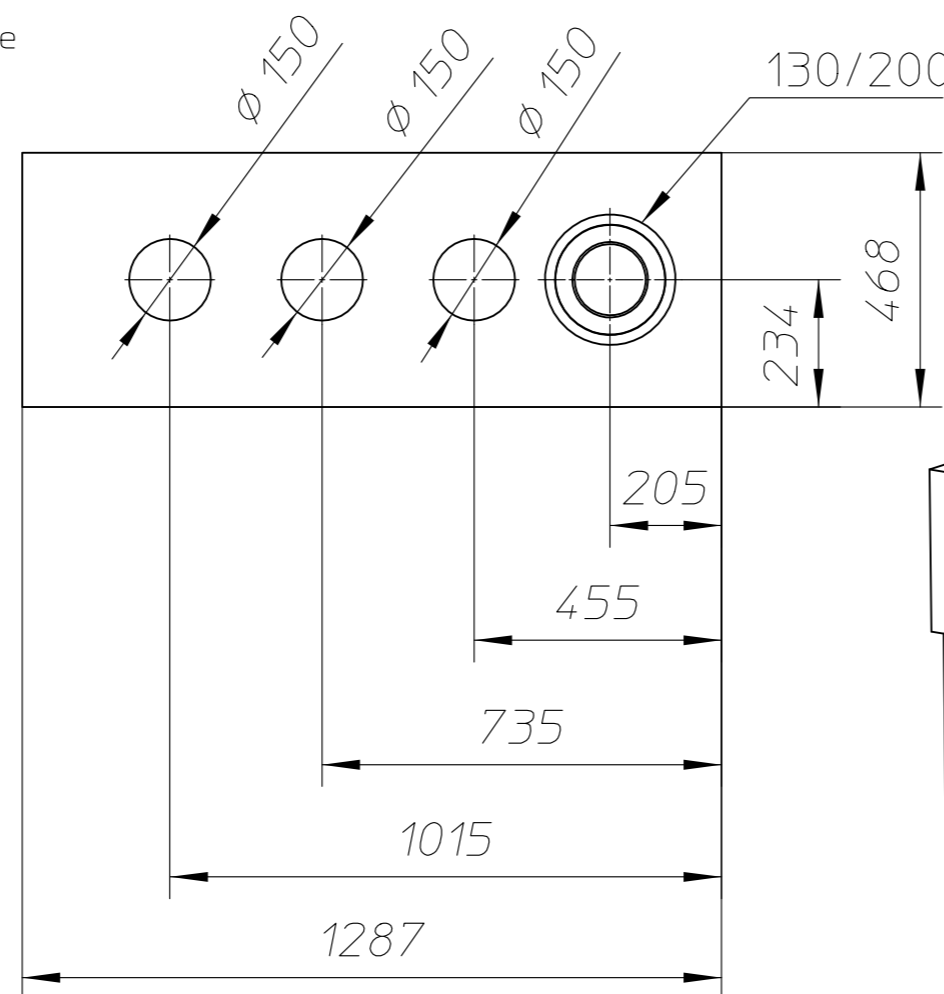
- support@metalfire.eu
- +32 (0)9 261 50 57



Min. 168 Max. 198



Electronics / control unit fixed on frame
Accessible via liege inside fireplace



scale 1:20

www.metalfire.eu

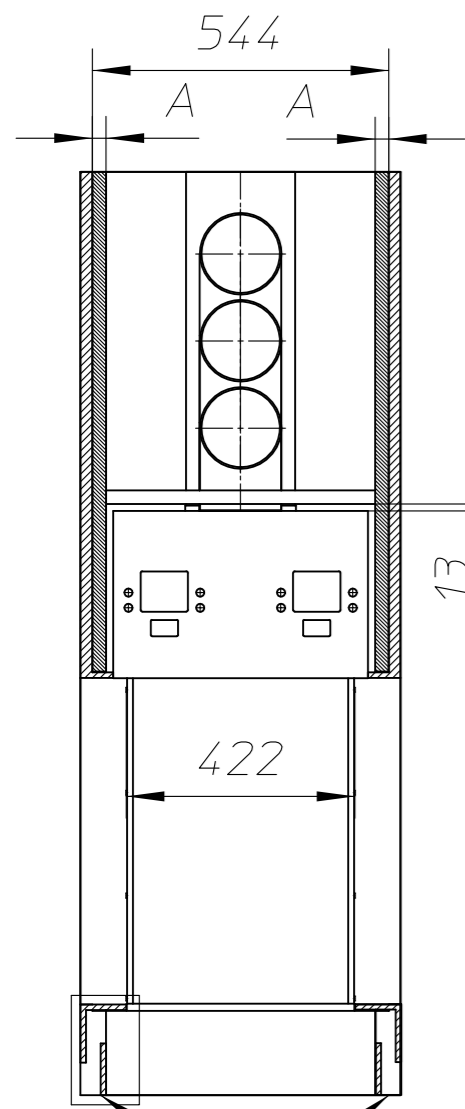
EN 613

General dimensional tolerances up to 6mm
Metalfire preserves the right to modify specifications without previous notice

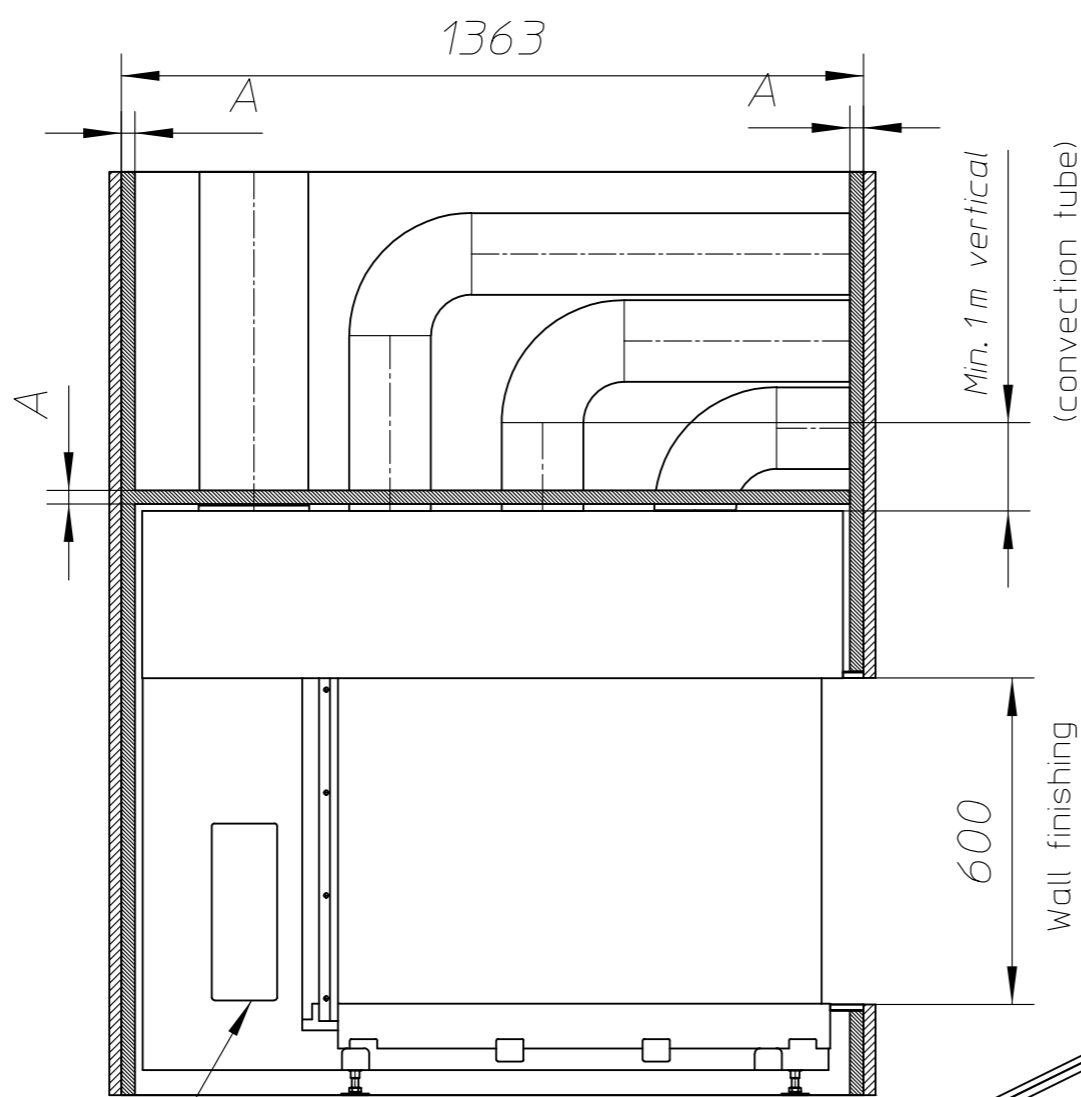
Rev.
A

CE

Sheet
1/3



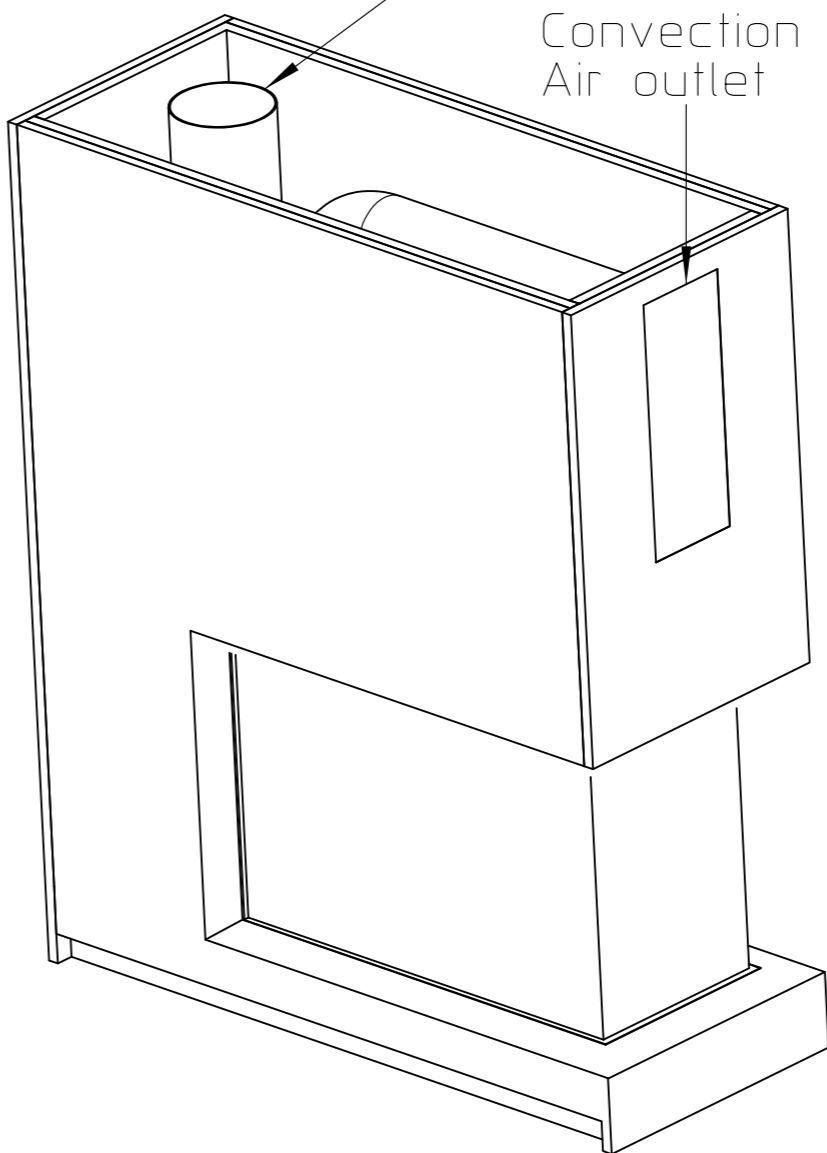
Min. 13mm between fireplace and insulation



WITHOUT FINISHING FRAME

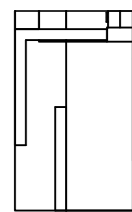
Exhaust tube 130/200

Convection Air outlet

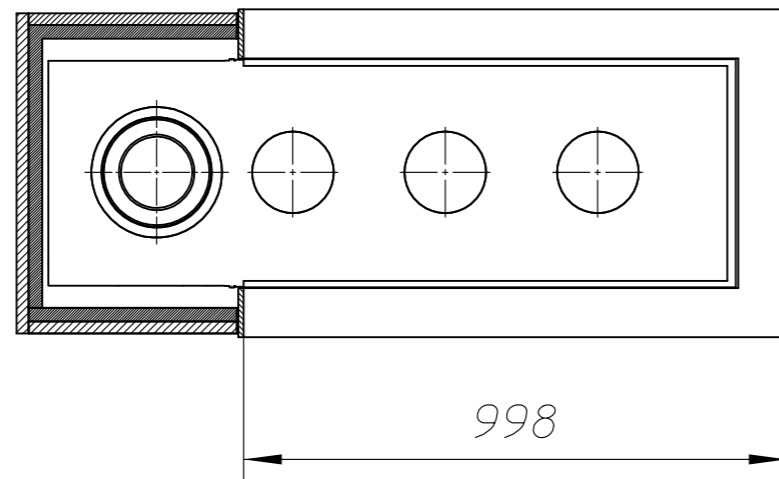


Electrical/gas control unit
FORSEE ENOUGH AIR FLOW FOR COOLING

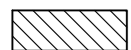
Ambient air inlet
see Detail3



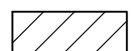
Detail3
Scale 1:10



Wall finishing



Insulation



Combustable finish material

Insulation thickness --> see table

AVENUE Patented

metalfire

Technical Document

AVENUE MF 900-60 GHE 3S EXT

Prescribed insulation thickness (mm)

Combustable finishing material

Metalfire recommended
Promasil 1100L
(TC=0.081 W/mK)

A=25mm

Non-Combustable finishing material

Non-combustable
materials
Structural building items
EXCLUDED e.g
load bearing walls

A=0mm

TC=Thermal conductivity

First aid and technical support:

- support@metalfire.eu
- +32 (0)9 261 50 57

scale 1:20

www.metalfire.eu

EN 613

General dimensional tolerances up to 6mm
Metalfire preserves the right to modify specifications without previous notice

Rev.
A

Sheet
2/3

WITH FINISHING FRAME 90/10

