

ULTIME D Patented

metalfire

Technical Document

Model: ULTIME D MF 800-75 WHE 1S

Dimensions (mm)

- combustion opening WxH: 836x756
- external WxDxH: 1060x619x2061
- fresh air: 2x150
- diameter flue: 250

Technical Data

- capacity: 21.5kW
- efficiency capacity: 80.1%
- CO (volume with 13%O₂): 0.08%
- dust (volume with 13%O₂): 30mg/m³
- weight: 435kg
- Air intake to convection: minimum 720cm²(4x150)
- Air exhaust to convection: minimum 720cm²(4x150)

Specifications

- inside finishing: heat-resistant black paint
- vermiculite insulation plates
- convection jacket in galvanized steel
- cast iron stoke grate
- back and sides: ribbed cast iron
- interior finishing: ORIGINAL (ribbed cast iron)

Options

- Promat insulation kit
- Finishing frame

Table: prescribed insulation thickness (mm)

Combustible finishing material					
	A	B	C	D	E
Test report (TC = 0,14 W/mK)	102	NC	98	133	40
Metalfire recommended Promasil 1100L (TC = 0,081 W/mK)	60	NC	60	80	25
Non-combustable finishing material					
non-combustable materials (structural building items EXCLUDED e.g. load bearing walls)	0	0	0	0	0

TC = thermal conductivity NC = non-combustable

First aid and technical support:

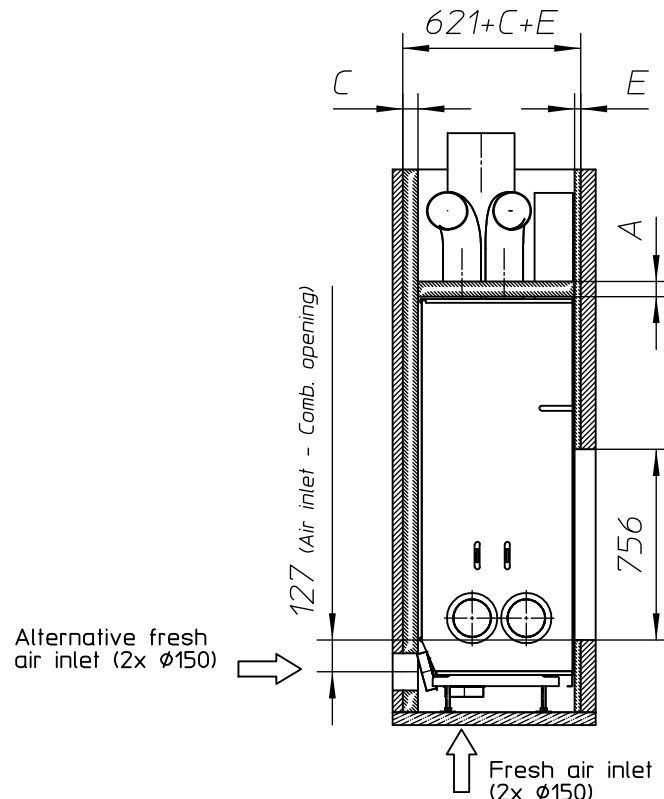
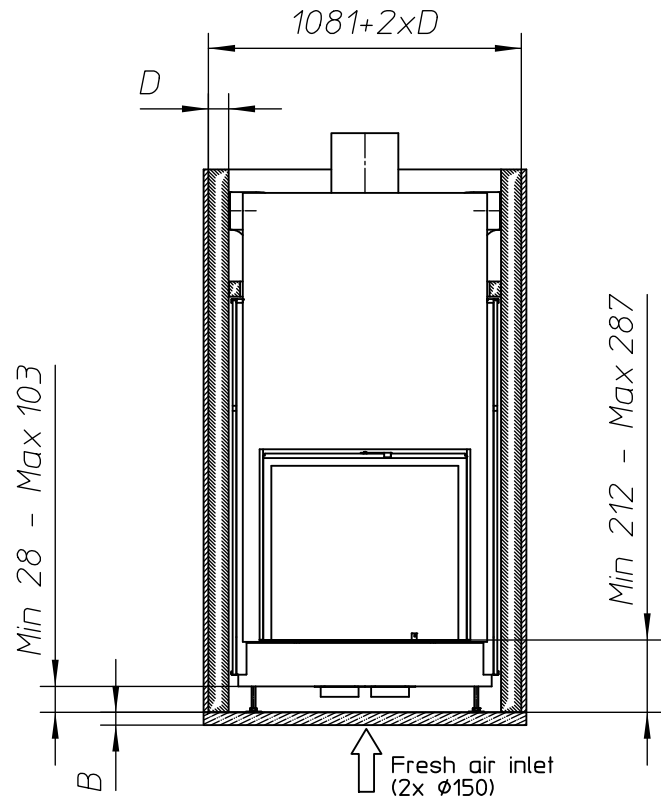
- support@metalfire.eu
- +32 (0)9 261 50 57

scale 1:25 Rev. A.1

www.metalfire.eu EN 13229 C€

General dimensional tolerances up to 6mm Sheet 1/3
 Metalfire preserves the right to modify specifications without previous notice

Without finishing frame



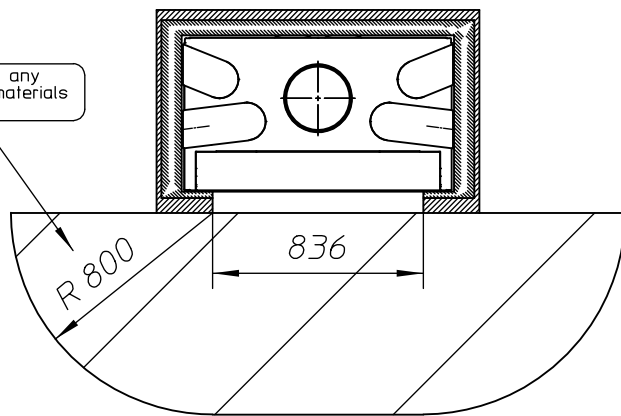
Alternative fresh air inlet (2x Ø150)



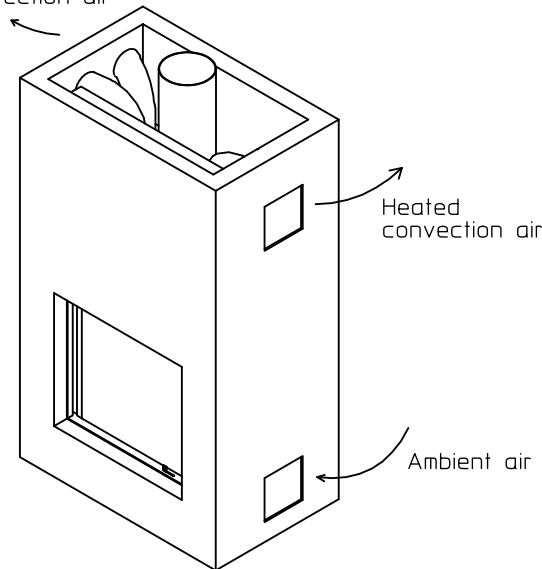
Alternative fresh air inlet (2x Ø150)



Do NOT place any combustable materials in this zone



Heated convection air



ULTIME D Patented

metalfire

Technical Document

Model: ULTIME D MF 800-75 WHE 1S

Dimensions (mm)

- combustion opening WxH: 836x756
- external WxDxH: 1060x619x2061
- fresh air: 2xØ150
- diameter flue: Ø250

Technical Data

- capacity: 21.5kW
- efficiency capacity: 80.1%
- CO (volume with 13%O₂): 0.08%
- dust (volume with 13%O₂): 30mg/m³
- weight: 435kg
- Air intake to convection: minimum 720cm²(4xØ150)
- Air exhaust to convection: minimum 720cm²(4xØ150)

Specifications

- inside finishing: heat-resistant black paint
- vermiculite insulation plates
- convection jacket in galvanized steel
- cast iron stoke grate
- back and sides: ribbed cast iron
- interior finishing: ORIGINAL (ribbed cast iron)

Options

- Promat insulation kit
- Finishing frame

Table: prescribed insulation thickness (mm)

Combustable finishing material					
	A	B	C	D	E
Test report (TC = 0,14 W/mK)	102	NC	98	133	40
Metalfire recommended Promasil 1100L (TC = 0,081 W/mK)	60	NC	60	80	25
Non-combustable finishing material					
non-combustable materials (structural building items EXCLUDED e.g. load bearing walls)	0	0	0	0	0

TC = thermal conductivity NC = non-combustable

First aid and technical support:

- support@metalfire.eu
- +32 (0)9 261 50 57

scale 1:25

Rev. A.1

www.metalfire.eu

EN 13229

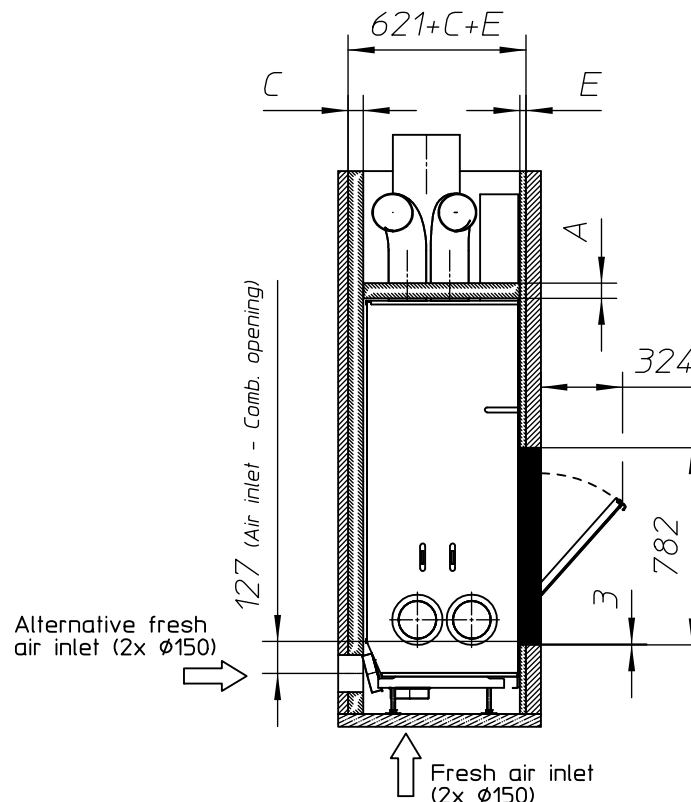
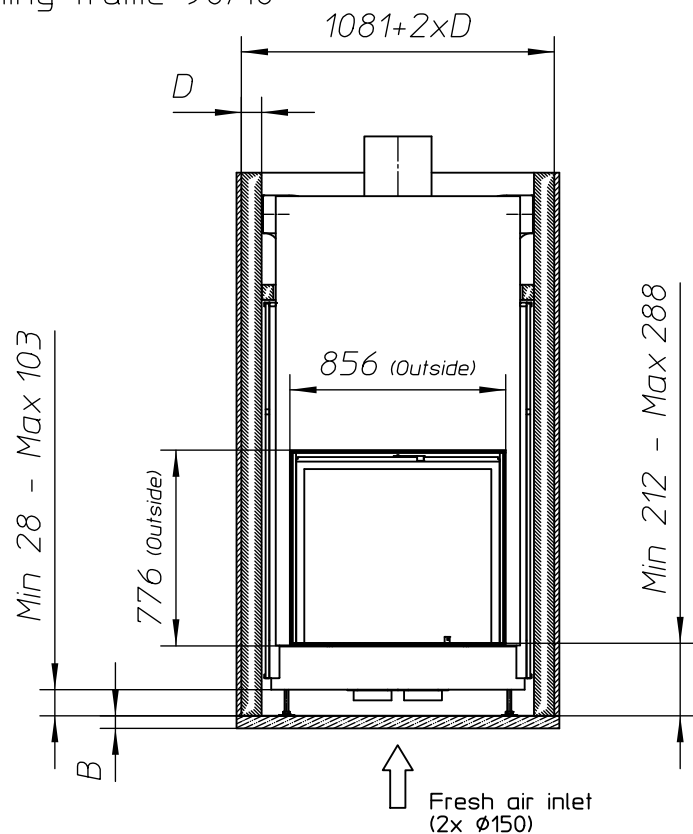
CE

General dimensional tolerances up to 6mm
Metalfire preserves the right to modify specifications without previous notice

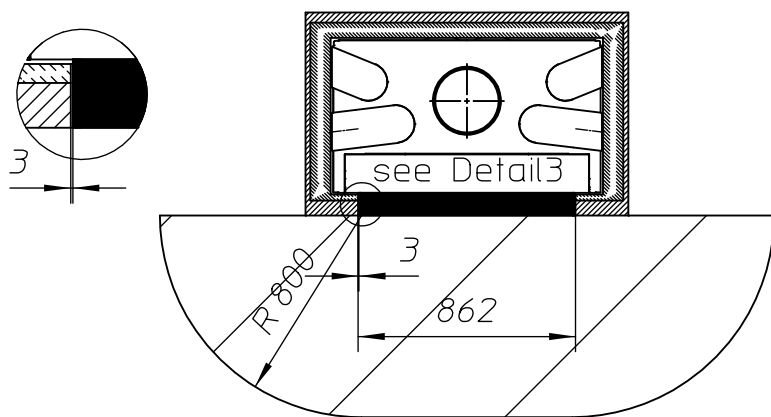
Sheet 2/3

- Combustable finishing material
- Non-combustable finishing material
- Insulation
- Insulation thickness => see table

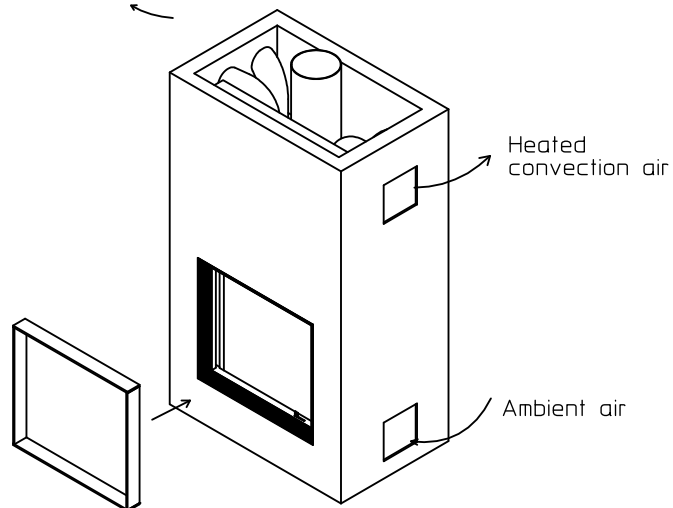
With finishing frame 90/10



Detail3
Scale 1:10



Heated convection air



ULTIME D Patented

metalfire

Technical Document

Model: ULTIME D MF 800-75 WHE 1S

Dimensions (mm)

- combustion opening WxH: 836x756
- external WxDxH: 1060x619x2061
- fresh air: 2xØ150
- diameter flue: Ø250

Technical Data

- capacity: 21.5kW
- efficiency capacity: 80.1%
- CO (volume with 13%O₂): 0.08%
- dust (volume with 13%O₂): 30mg/m³
- weight: 435kg
- Air intake to convection: minimum 720cm² (4xØ150)
- Air exhaust to convection: minimum 720cm² (4xØ150)

Specifications

- inside finishing: heat-resistant black paint
- vermiculite insulation plates
- convection jacket in galvanized steel
- cast iron stoke grate
- back and sides: ribbed cast iron
- interior finishing: ORIGINAL (ribbed cast iron)

Options

- Promat insulation kit
- Finishing frame

Table: prescribed insulation thickness (mm)

Combustable finishing material					
	A	B	C	D	E
Test report (TC = 0,14 W/mK)	102	NC	98	133	40
Metalfire recommended Promasil 1100L (TC = 0,081 W/mK)	60	NC	60	80	25
Non-combustable finishing material					
non-combustable materials (structural building items EXCLUDED e.g. load bearing walls)	0	0	0	0	0

TC = thermal conductivity NC = non-combustable

First aid and technical support:

- support@metalfire.eu
- +32 (0)9 261 50 57

scale 1:25

Rev.
A.1

www.metalfire.eu

EN 13229

CE

General dimensional tolerances up to 6mm
Metalfire preserves the right to modify specifications without previous notice

Sheet
3/3

- Combustable finishing material
- Non-combustable finishing material
- Insulation
- Insulation thickness => see table