

Scale 1:30

UNIVERSAL Patented

metalfire

Technical Document

Model: UNIVERSAL MF 1300-50 W 2SL



Dimensions (mm)

- combustion chamber WxDxH 1300 x 510 x 500
- external WxDxH: 1373 x 585 x 1800
- stoke grate WxD: 800 x 370
- fresh air: 2 x Ø150

Specifications

- finishing: heat-resistant black paint
- lockable valve for fresh air and smoke gases
- two-piece cast iron stoke grate
- sliding door in metal wire mesh (black H-R paint)
- finishing: heat-resistant black paint
- interior finishing: ORIGINAL (ribbed cast iron)

Options

- chimney fan RSV 14
- convection jacket (see options)
- interior finishing: MINIMAL  DESIGN 

First aid and technical support:

- support@metalfire.eu
- +32 (0)9 261 50 57

scale 1:20

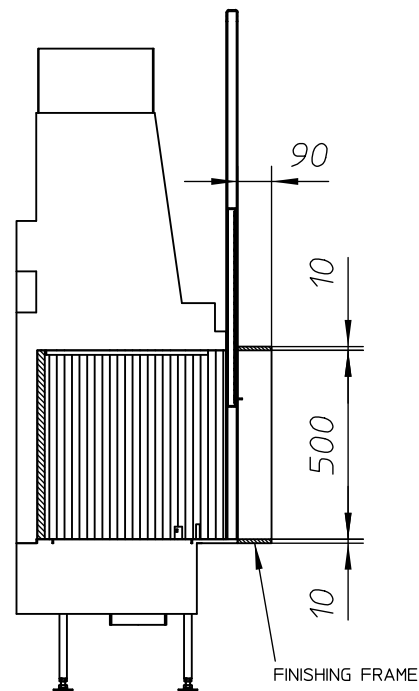
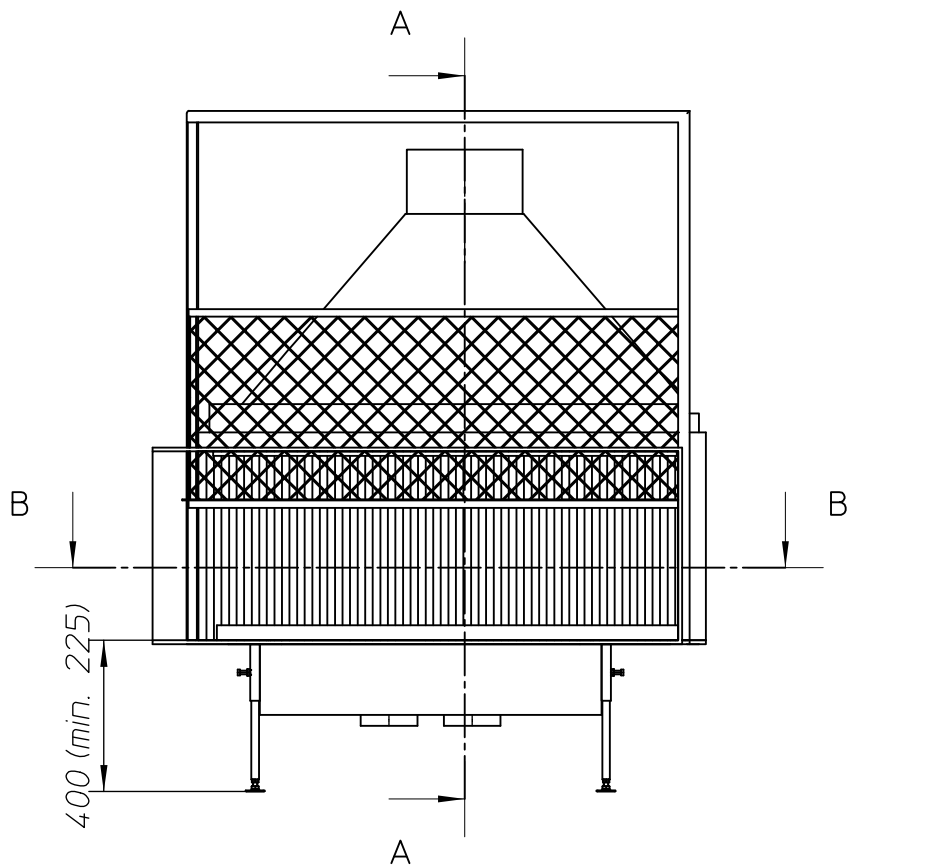
Rev.
-1

www.metalfire.eu

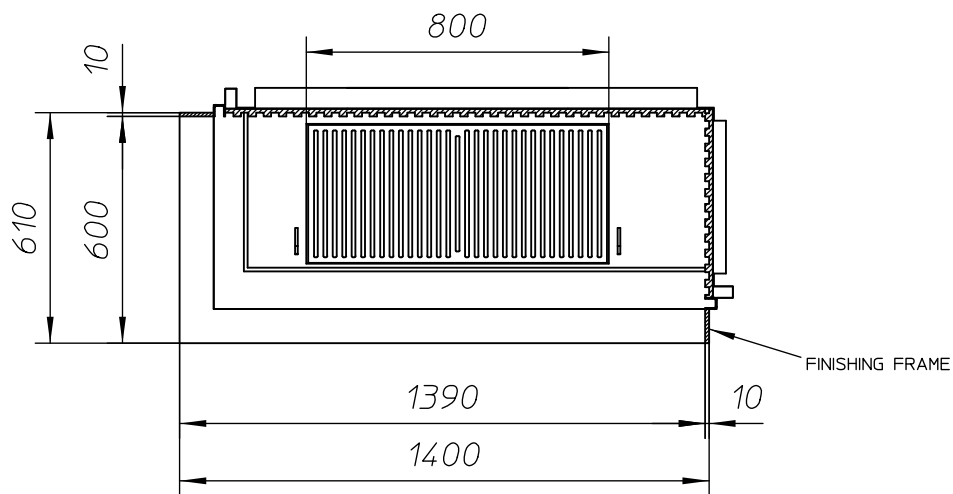
General dimensional tolerances up to 6mm
Metalfire preserves the right to modify specifications without previous notice

Sheet
1/4

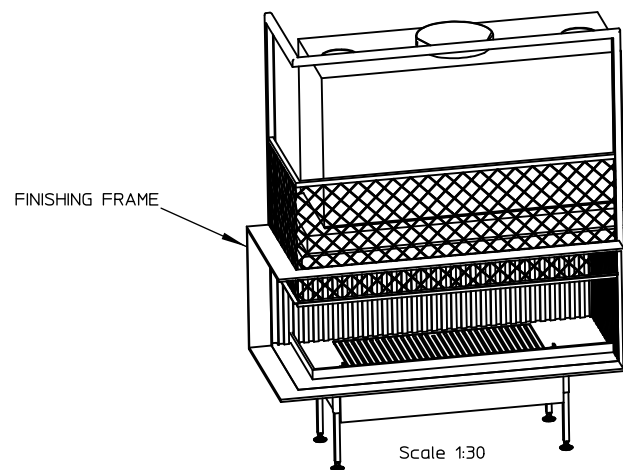
WITH FINISHING FRAME



SECTION A-A



SECTION B-B



Scale 1:30

UNIVERSAL Patented

metalfire

Technical Document

Model: UNIVERSAL MF 1300-50 W 2SL


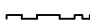
Dimensions (mm)

- combustion chamber WxDxH 1300 x 510 x 500
- external WxDxH: 1373 x 585 x 1800
- stoke grate WxD: 800 x 370
- fresh air: 2 x ϕ 150

Specifications

- finishing: heat-resistant black paint
- lockable valve for fresh air and smoke gases
- two-piece cast iron stoke grate
- sliding door in metal wire mesh (black H-R paint)
- finishing: heat-resistant black paint
- interior finishing: ORIGINAL (ribbed cast iron)

Options

- chimney fan RSV 14
- convection jacket (see options)
- interior finishing: MINIMAL 
- DESIGN 

First aid and technical support:

- support@metalfire.eu
- +32 (0)9 261 50 57

scale 1:20

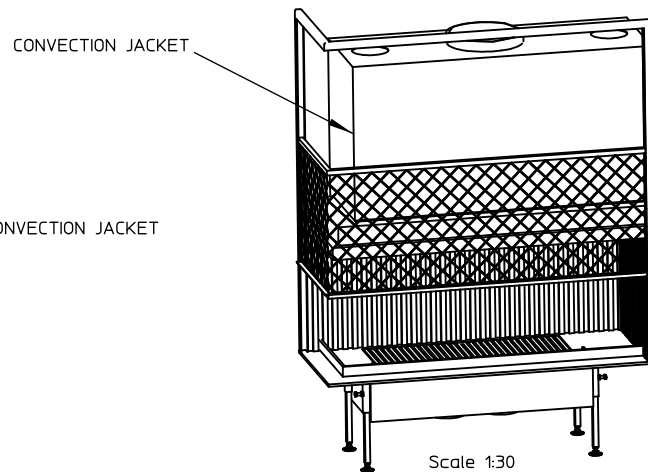
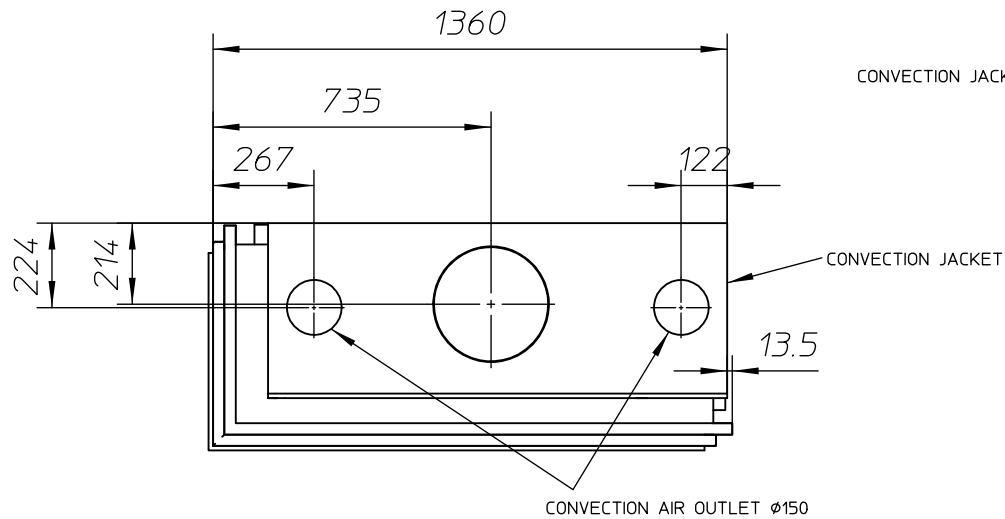
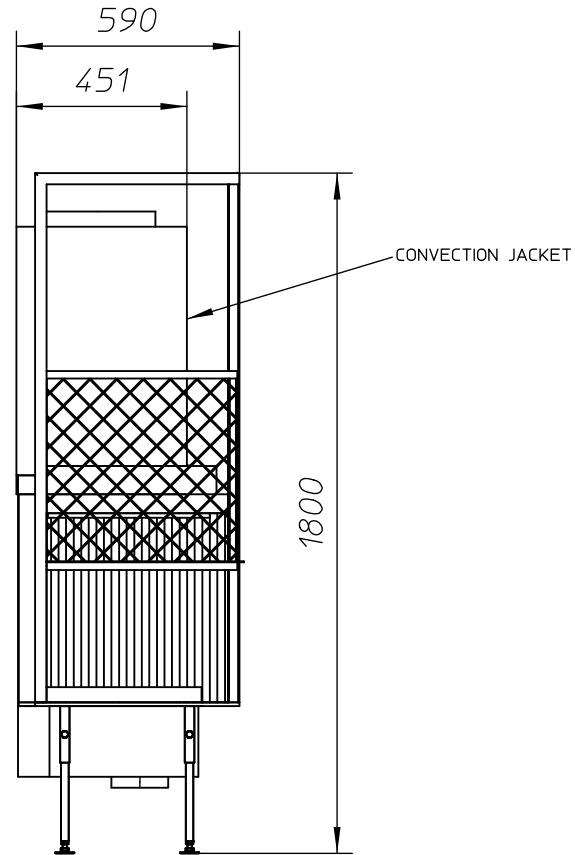
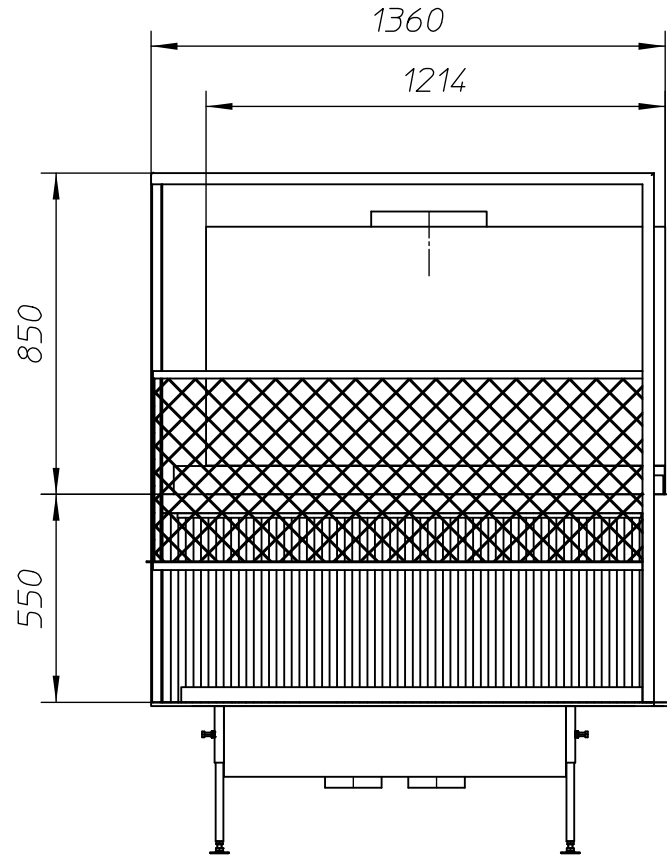
Rev.
-.1

www.metalfire.eu

General dimensional tolerances up to 6mm
Metalfire preserves the right to modify specifications without previous notice

Sheet
2/4

WITH CONVECTION JACKET



UNIVERSAL Patented

metalfire

Technical Document

Model: UNIVERSAL MF 1300-50 W 2SL



Dimensions (mm)

- combustion chamber WxDxH 1300 x 510 x 500
- external WxDxH: 1373 x 585 x 1800
- stoke grate WxD: 800 x 370
- fresh air: 2 x $\varnothing 150$

Specifications

- finishing: heat-resistant black paint
- lockable valve for fresh air and smoke gases
- two-piece cast iron stoke grate
- sliding door in metal wire mesh (black H-R paint)
- finishing: heat-resistant black paint
- interior finishing: ORIGINAL (ribbed cast iron)

Options

- chimney fan RSV 14
- convection jacket (see options)
- interior finishing: MINIMAL 
- DESIGN 

First aid and technical support:

- support@metalfire.eu
- +32 (0)9 261 50 57

scale 1:20

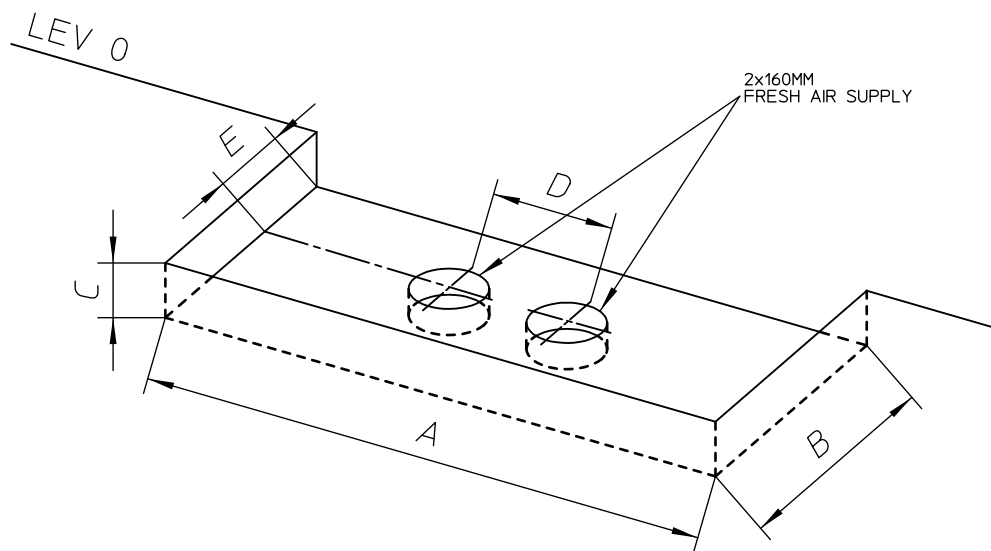
Rev.
-1

www.metalfire.eu

General dimensional tolerances up to 6mm
Metalfire preserves the right to modify specifications without previous notice

Sheet
3/4

TECHNICAL PROVISION



TUNNEL 3-SIDES 2-SIDES FRONT

(mm)	A	B	C	D	E
MF 1050-50/75	1260	610	225	220	340
MF 1300-50/75	1510	610	225	220	340
MF 1500-50	1710	610	225	220	340
MF 1900-50	2110	610	225	220	340
MF 1050-50/75	1210	610	225	220	340
MF 1300-50/75	1460	610	225	220	340
MF 1500-50	1660	610	225	220	340
MF 1900-50	2060	610	225	220	340
MF 1050-50/75	1200	640	280	220	370
MF 1300-50/75	1450	640	280	220	370
MF 1500-50	1650	640	280	220	370
MF 1900-50	2050	640	280	220	370
MF 1050-50/75	1250	580	225	220	320
MF 1300-50/75	1500	580	225	220	320
MF 1500-50	1700	580	225	220	320
MF 1900-50	2100	580	225	220	320

UNIVERSAL Patented

metalfire

Technical Document

Model: UNIVERSAL MF 1300-50 W 2SL

Dimensions (mm)

- combustion chamber WxDxH: 1300 x 510 x 500
- external WxDxH: 1373 x 585 x 1800
- stoke grate WxD: 800 x 370
- fresh air: 2 x ϕ 150

Specifications

- finishing: heat-resistant black paint
- lockable valve for fresh air and smoke gases
- two-piece cast iron stoke grate
- sliding door in metal wire mesh (black H-R paint)
- finishing: heat-resistant black paint
- interior finishing: ORIGINAL (ribbed cast iron)

Options

- chimney fan RSV 14
- convection jacket (see options)
- interior finishing: MINIMAL DESIGN

First aid and technical support:

- support@metalfire.eu
- +32 (0)9 261 50 57

scale 1:20

Rev.
-1

www.metalfire.eu

General dimensional tolerances up to 6mm
Metalfire preserves the right to modify specifications without previous notice

Sheet
4/4